

SMART SOLUTION FOR BIGGER RESULTS

Product sheet
Viroc

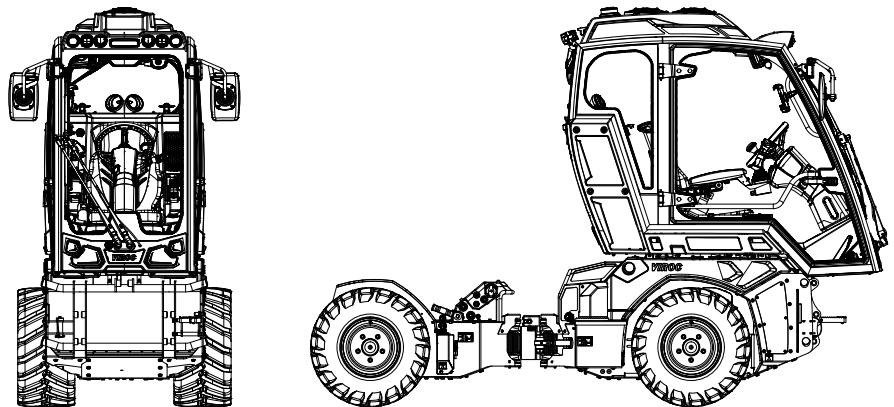


Viroc was specifically designed for use in vineyards and maneuvering on **steep slopes and between tightly spaced rows**. This versatility has also captured the attention of farmers working with other crops. Viroc stands out for its excellent traction, advanced safety features, user-friendliness, and maximum driver comfort.

Viroc is a high-tech, safe, and user-friendly multifunctional tool carrier – a true revolution in agriculture merging the expertise of one of Europe’s most historic wine-growing regions and the unparalleled innovative spirit of WM technics.

Viroc embodies innovation at every turn: from the state-of-the-art cabin to the flexible mounting system for various accessory units, all the way to the frame, designed for effortless maneuvering on steep slopes and between narrow rows. The multifunction joystick allows for easy and intuitive control.

The people are always at the heart of WM technics’ development. Our mission: ensuring safe work under extreme conditions.



For extreme slopes & tight rows

For cultivation in extreme conditions

Technological innovation & revolution



Awards

Viroc has received awards at multiple agricultural sector events for its outstanding technical advancements.



Facts & figures



Viroc VR60

Engine	Diesel Hatz 3H50TICD
Emission standard	Stage V
Number of cylinders	3
Performance / rpm	43.7 kW (60 hp) / 2,250 rpm
Displacement	1,464 cm ³
Cleanfix reversible fan	Optional
Standard traction	20 km/h – 13,300 N
Traction (High Torque)	14 km/h – 20,000 N
Standard ground clearance	90 cm: 150 mm 100 cm: 150 mm 105 cm: 175 mm 115 cm: 155 mm
Ground clearance (High Lift)	90 cm: 215 mm 100 cm: 215 mm 105 cm: 240 mm 115 cm: 220 mm

Viroc VR80

Engine	Diesel Hatz 4H50TICD
Emission standard	Stage V
Number of cylinders	4
Performance / rpm	55.4 kW (75 hp) / 2,250 rpm
Displacement	1,967 cm ³
Cleanfix reversible fan	Standard
Standard traction	20 km/h – 13,300 N
Traction (High Torque)	14 km/h – 20,000 N
Standard ground clearance	90 cm: 150 mm 100 cm: 150 mm 105 cm: 175 mm 115 cm: 155 mm
Ground clearance (High Lift)	90 cm: 215 mm 100 cm: 215 mm 105 cm: 240 mm 115 cm: 220 mm

General

Drive	Stepless, hydraulic all-wheel drive (0 - 20 km/h) with electronic speed control
Axles	Hydraulic single-wheel drive
Differential lock	Powershift hydraulic differential lock
Steering	Double articulation ($\pm 82^\circ$)
Central joint lock	Central location with patented joint lock system and independent wheel monitor
Service brake	Hydrostatic
Parking brake	Hydraulically controlled negative brakes on all 4 wheels, integrated in the end drives
PTO 1	Can be regulated hydraulically via piston pump in both directions at 250 bar from 0 to 40 litres
PTO 2 (optional)	Can be regulated hydraulically via piston pump in both directions at 250 bar from 0 to 40 litres
Working hydraulics 1	Gear pumps max. 13.5 l and 180 bar, electrohydraulic proportional valves
Working hydraulics 2 (optional)	Gear pumps max. 13.5 l and 180 bar, electrohydraulic proportional valves
Instruments	7" touchscreen display, illuminated keypad with 6 keys
Driver's station	Category 4, ROPS-tested, pressurized aluminum cabin; rotatable by 180°; steering column adjustable in height & tilt; 1 multifunction joystick
Hand-arm vibrations	< 2.5 m/s ²
Whole-body vibrations	< 0.5 m/s ²
Electric system	12V 60Ah, light system 110A, CAN bus & 30 electrical outputs/inputs for accessory units
Fuel tank	36 l
Hydraulic system	40 l of type HVLP 46
Operating temperatures	-15 °C to +40 °C

Tires

Total width 90 cm	185/65 - 15 4PR
Total width 100 cm	185/65 - 15 4PR
Total width 105 cm	27 x 10.5 - 15 8PR
Total width 115 cm	26 x 12.00 - 12 8PR

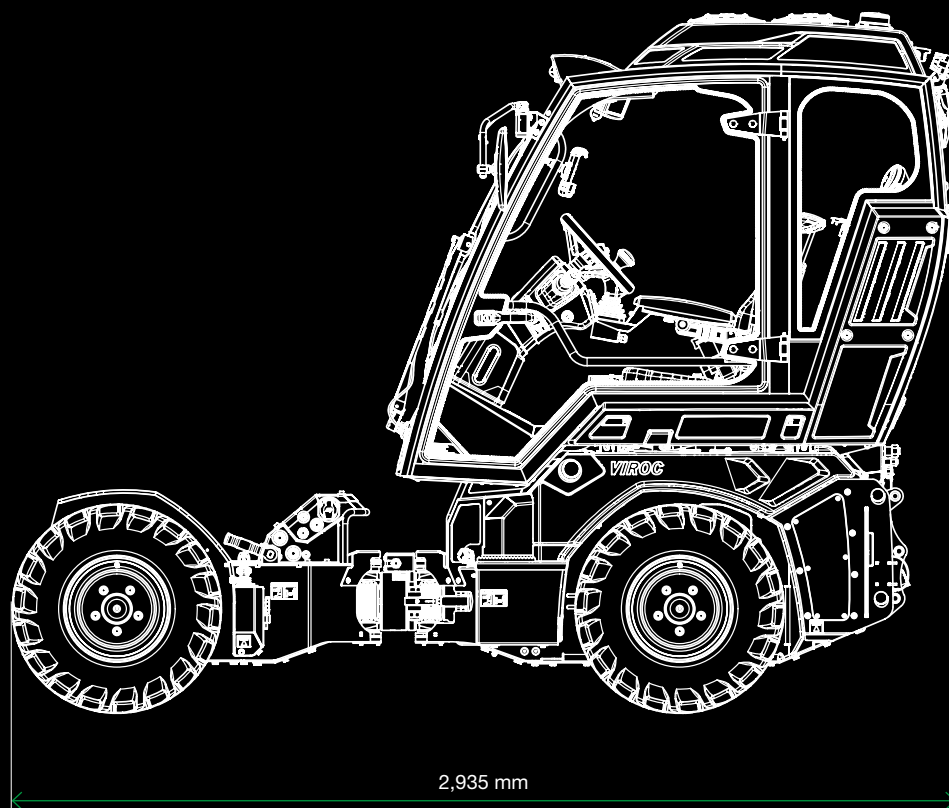
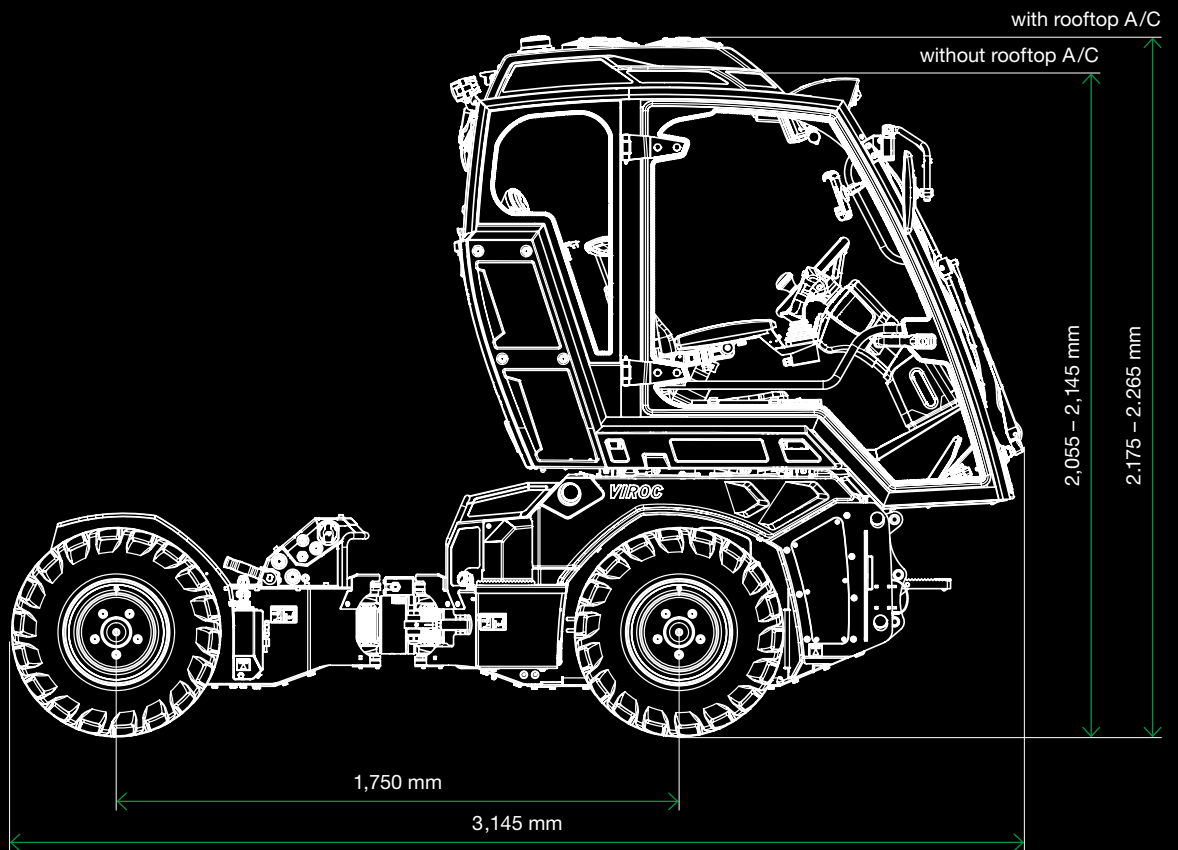
Weight & dimensions

Weight	Basic machine 1,270 kg
Max. permitted weight	2,450 kg
Overall length	Driving direction forwards: 3,145 mm
Overall length	Driving direction backwards: 2,935 mm
Height	2,055 – 2,265 mm
Center distance	1,750 mm

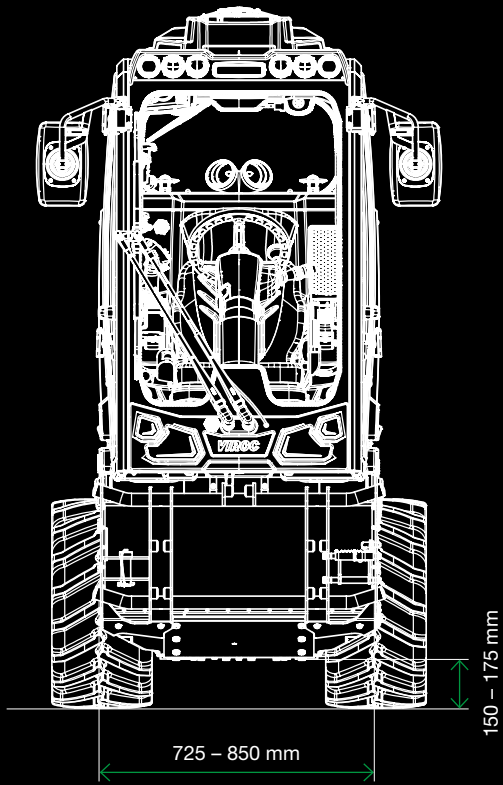
Turning radius

Total width 90 cm	Inner turning radius 585 mm Outer turning radius 1,730 mm Outer track radius 1,420 mm
Total width 100 cm	Inner turning radius 540 mm Outer turning radius 1,730 mm Outer track radius 1,445 mm
Total width 105 cm	Inner turning radius 510 mm Outer turning radius 1,730 mm Outer track radius 1,440 mm
Total width 115 cm	Inner turning radius 455 mm Outer turning radius 1,730 mm Outer track radius 1,465 mm

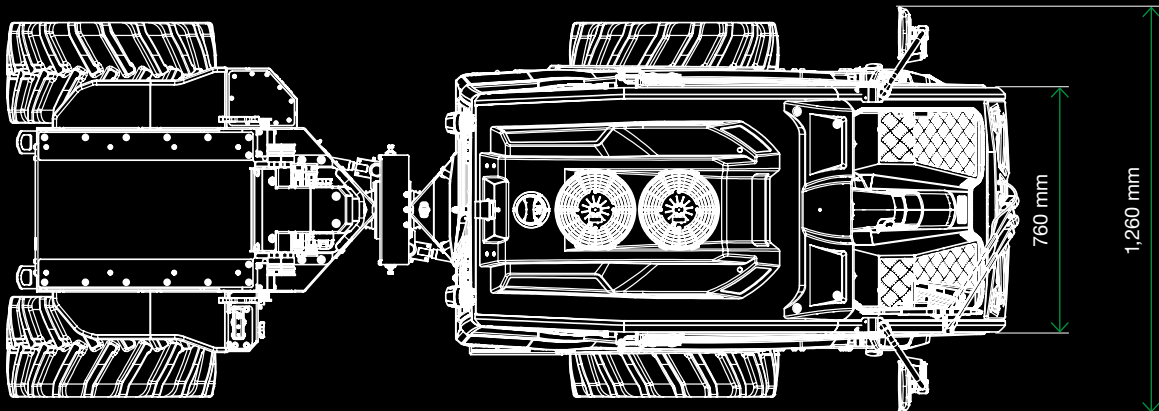
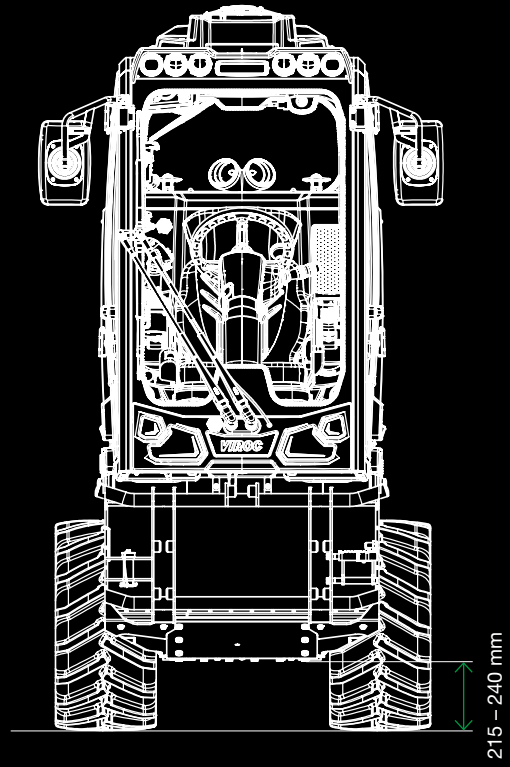
Dimensions



Standard



High Lift

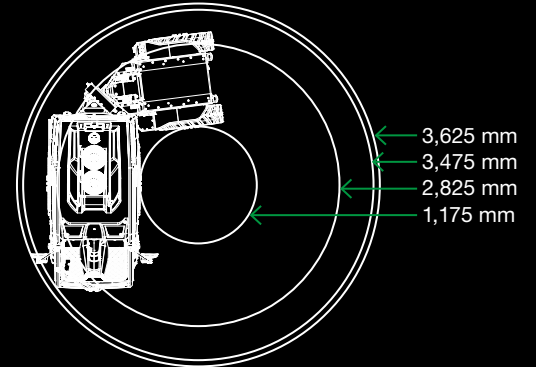
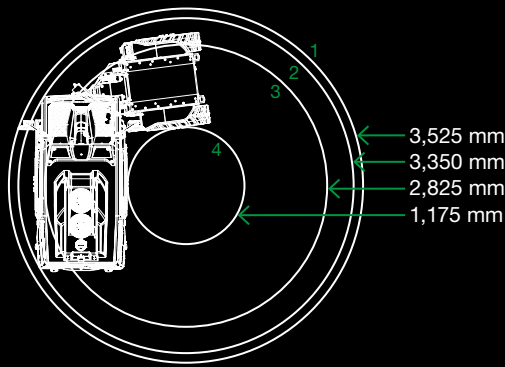


Turning radius

185/65 – 15

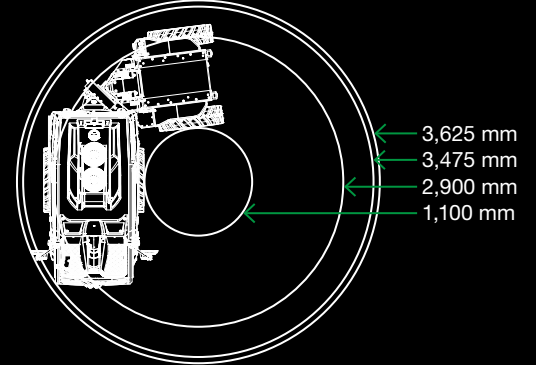
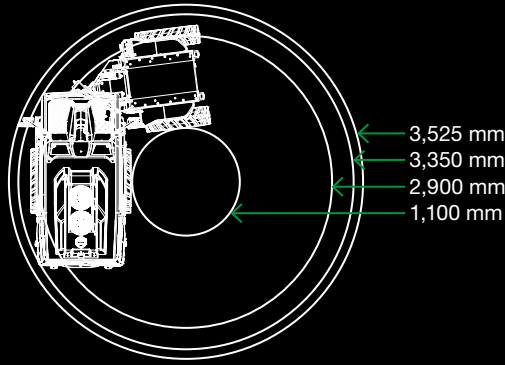
Width Viroc 90 cm

- 1 mirrors unfolded
- 2 mirrors folded
- 3 track width
- 4 inner turning radius



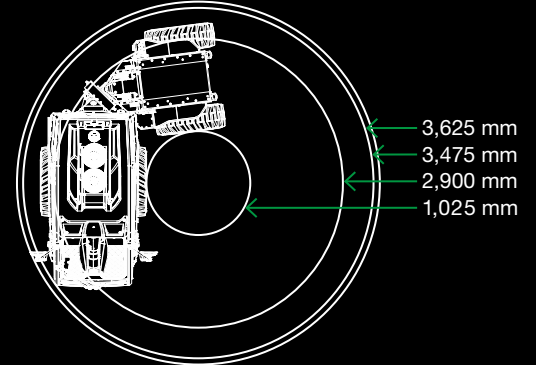
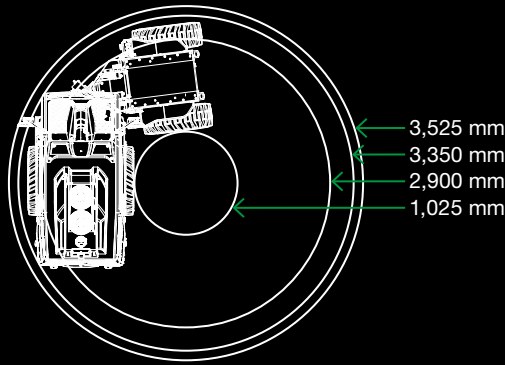
185/65 – 15

Width Viroc 100 cm



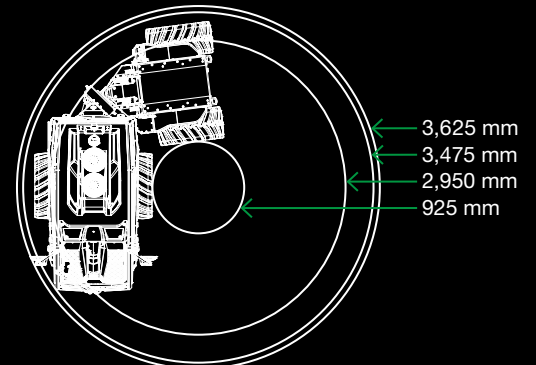
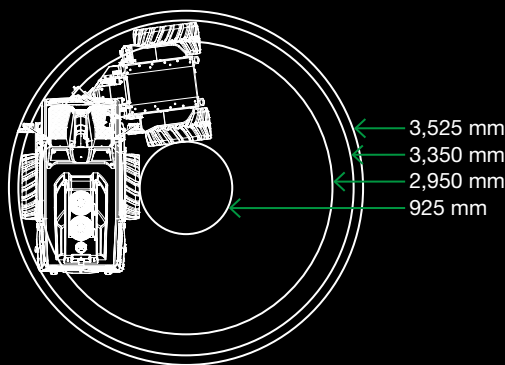
27 x 10.50 – 15

Width Viroc 105 cm



26 x 12.00 – 12

Width Viroc 115 cm





WM technics GmbH

Breiner Straße 15
I-39053 Blumau
T. +39 0471 353 332
info@wm-technics.com
wm-technics.com

Follow us on:

YouTube: *WM Viroc*
Facebook: *WM agri*
Instagram: *WM agri*
LinkedIn: *WM technics*

